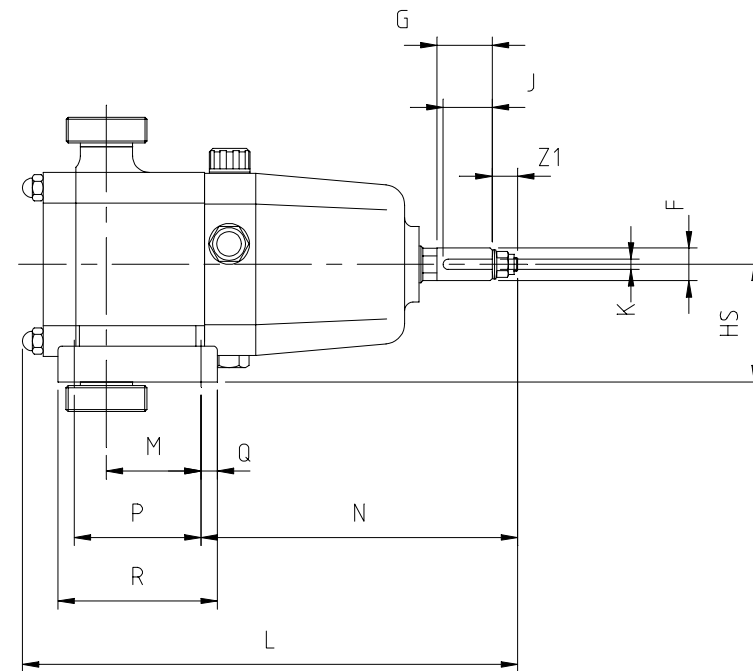
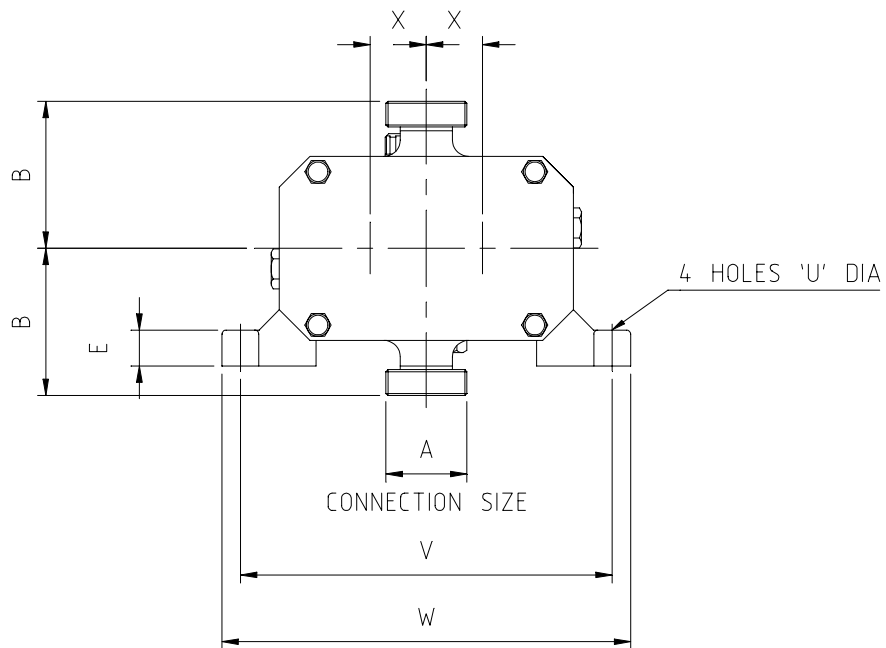
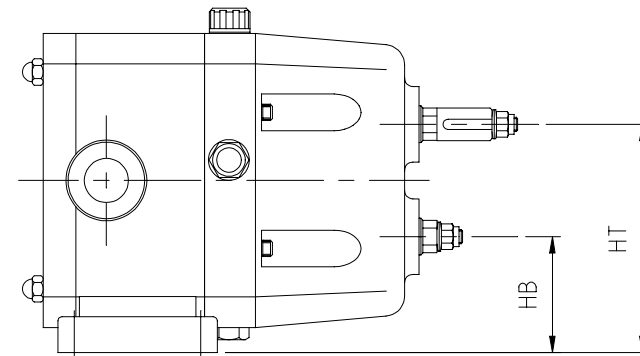
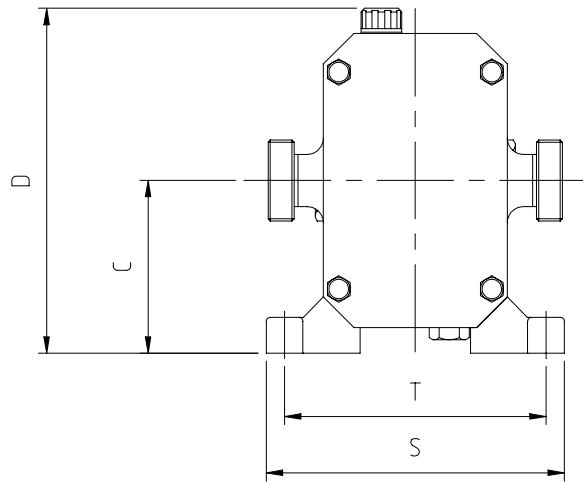


Concept SQ® Foundation Dimensions.



DIMENSIONS IN MILLIMETRES.

MODEL	A	B1	B2	B3	B4	B5	C	D	E	F	G	HB	HS	HT	J	K	L	M	N	P	Q	R	S	T	U	V	W	X	Z1	WEIGHT (KG)
SQ1/0004/12	25	86	104	100	107	148	84.5	176	17	16 j6	28	57	57	112	24	5	253	41	168	62	8	78	146	128	9	183	201	27.5	11	12.9
SQ1/0007/06	25	86	104	100	107	148	84.5	176	17	16 j6	28	57	57	112	24	5	270	56	168	62	8	78	146	128	9	183	201	27.5	11	13.4
SQ2/0017/15	40	107	121	128	169	118	118	246	21	28 j6	42	75	75	160	38	8	363	65	230	90	14	117	197	170	10.5	255	282	42.5	22	35.3
SQ2/0030/07	50	107	121	128	169	118	118	246	21	28 j6	42	75	75	160	38	8	391	87	230	90	14	117	197	170	10.5	255	282	42.5	22	40.3
SQ3/0054/15	50	131	145	152	193	157	157	324	29	38 k6	80	100	100	215	70	10	482	83	315	124	14	152	243	214	12.5	329	358	57.5	27	83.0
SQ3/0103/07	80	131	145	162	213	157	157	324	29	38 k6	80	100	100	215	70	10	527	115	315	124	14	152	243	214	12.5	329	358	57.5	27	91.0
SQ4/0160/15	80	178	192	209	260	216	216	442	30	60 m6	140	136	147	296	129	18	652	109	416	170	16	202	378	342	18	480	516	80	34	219.0
SQ4/0303/07	100	182	192	199	250	216	216	442	30	60 m6	140	136	147	296	129	18	714	151	416	170	16	202	378	342	18	480	516	80	34	266.0

DIMENSIONS IN INCHES

(mm)

MODEL	A	B1	B2	B3	B4	B5	C	D	E	F	G	HB	HS	HT	J	K	L	M	N	P	Q	R	S	T	U	V	W	X	Z1	WEIGHT (LBS)
SQ1/0004/12	1.0	3.39	4.09	3.94	4.21	5.83	3.33	6.93	0.67	16 j6	1.1	2.24	2.24	4.41	0.94	0.2	9.96	1.61	6.61	2.44	0.31	3.07	5.75	5.04	0.33	7.2	7.91	1.08	0.43	28
SQ1/0007/06	1.0	3.39	4.09	3.94	4.21	5.83	3.33	6.93	0.67	16 j6	1.1	2.24	2.24	4.41	0.94	0.2	10.6	2.2	6.61	2.44	0.55	3.07	5.75	5.04	0.33	7.2	7.91	1.08	0.43	29
SQ2/0017/15	1.5	4.21	5.08	4.76	5.04	6.65	4.65	9.69	0.83	28 j6	1.65	2.95	2.95	6.3	1.5	0.31	14.3	2.56	9.06	3.54	0.55	4.61	7.76	6.69	0.41	10	11.1	1.67	0.87	78
SQ2/0030/07	2.0	4.21	5.08	4.76	5.04	6.65	4.65	9.69	0.83	28 j6	1.65	2.95	2.95	6.3	1.5	0.31	15.4	3.43	9.06	3.54	0.55	4.61	7.76	6.69	0.41	10	11.1	1.67	0.87	89
SQ3/0054/15	2.0	5.16	6.02	5.71	5.98	7.6	6.18	12.8	1.14	38 k6	3.15	3.94	3.94	8.46	2.76	0.39	19.0	3.27	12.4	4.88	0.55	5.98	9.57	8.43	0.49	13	14.1	2.26	1.06	183
SQ3/0103/07	3.0	5.16	6.5	5.71	6.38	8.39	6.18	12.8	1.14	38 k6	3.15	3.94	3.94	8.46	2.76	0.39	20.7	4.53	12.4	4.88	0.55	5.98	9.57	8.43	0.49	13	14.1	2.26	1.06	200
SQ4/0160/15	3.0	7.01	8.19	7.56	8.23	10.2	8.5	17.4	1.18	60 m6	5.51	5.35	5.79	11.7	5.08	0.71	25.7	4.29	16.4	6.69	0.63	7.95	14.9	13.5	0.71	18.9	20.3	3.15	1.34	482
SQ4/0303/07	4.0	7.17	7.8	7.56	7.83	9.84	8.5	17.4	1.18	60 m6	5.51	5.35	5.79	11.7	5.08	0.71	28.1	5.94	16.4	6.69	0.63	7.95	14.9	13.5	0.71	18.9	20.3	3.15	1.34	585

B1 APPLIES FOR TRICLAMP & THREAD CONNECTIONS.

B2 APPLIES FOR DIN ASEPTIC CONNECTIONS.

B3 APPLIES FOR DIN2633 FLANGES.

B4 APPLIES FOR DIN ASEPTIC FLANGES.

B5 APPLIES FOR BARRIER DIN ASEPTIC CONNECTIONS (MALE & FEMALE).

THESE DIMENSIONS ARE FOR GUIDANCE ONLY – CERTIFIED DRAWINGS ARE AVAILABLE ON REQUEST